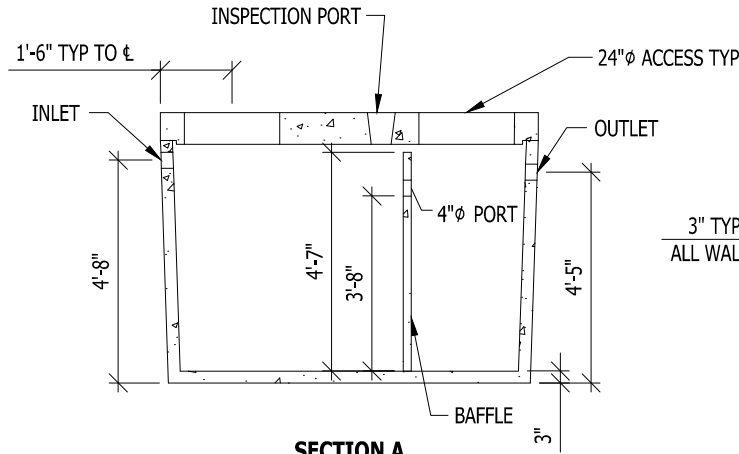
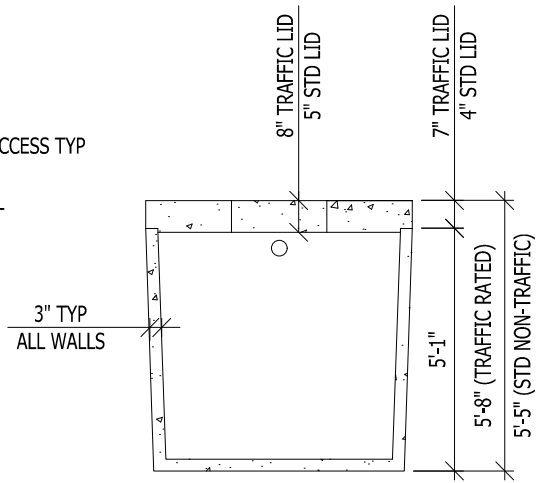


**PLAN SECTION**  
 SCALE: NTS



**SECTION A**  
 SCALE: NTS



**SECTION B**  
 SCALE: NTS

**GENERAL NOTES:**

1. STANDARD INLET AND OUTLET SIZE IS 4", CUSTOM PENETRATIONS AVAILABLE.
2. JOINT BETWEEN TANK AND COVER SEALED WITH MASTIC.
3. THERE SHALL BE (4) LIFTING INSERTS IN LID
4. NOT ALL FEATURES SHOWN. INQUIRE FOR MORE INFORMATION AS NEEDED