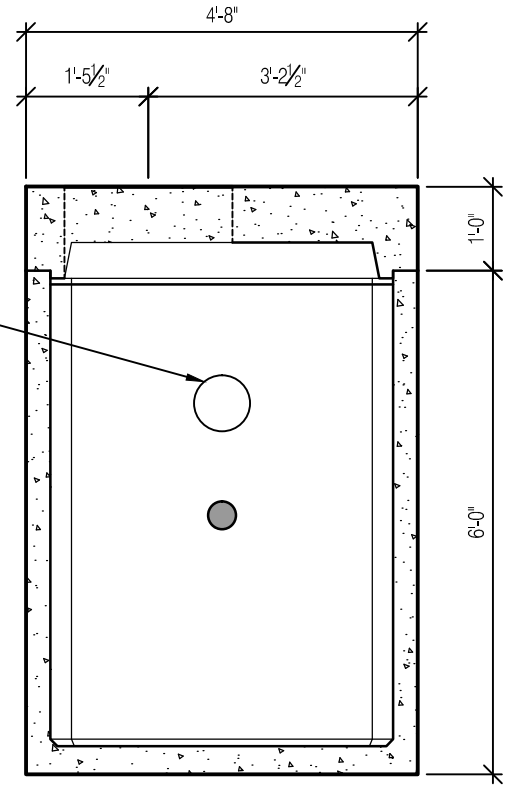
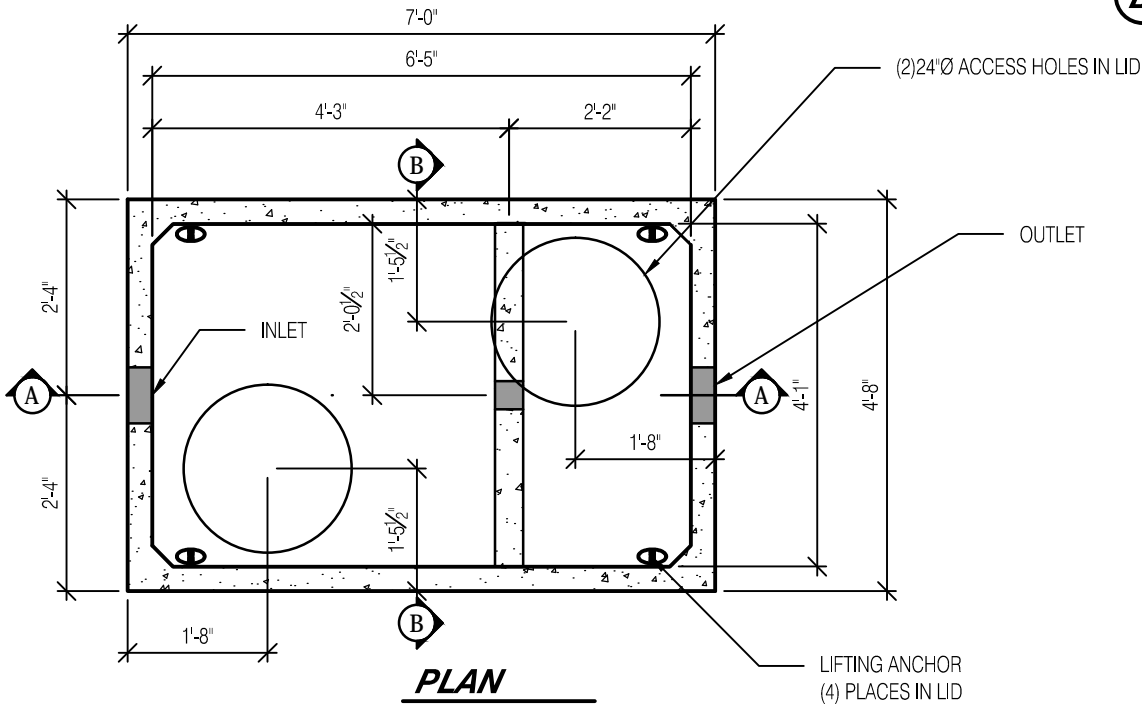


A SECTION



B SECTION



PLAN

GENERAL NOTES:

- *750 GALLON CAPACITY BASED ON 48" WATER LEVEL.
- EXACT CAPACITY DEPENDANT UPON PIPE SIZE AND LOCATION.
- ** LID CONFIGURATION DEPENDENT UPON REQUIREMENTS.