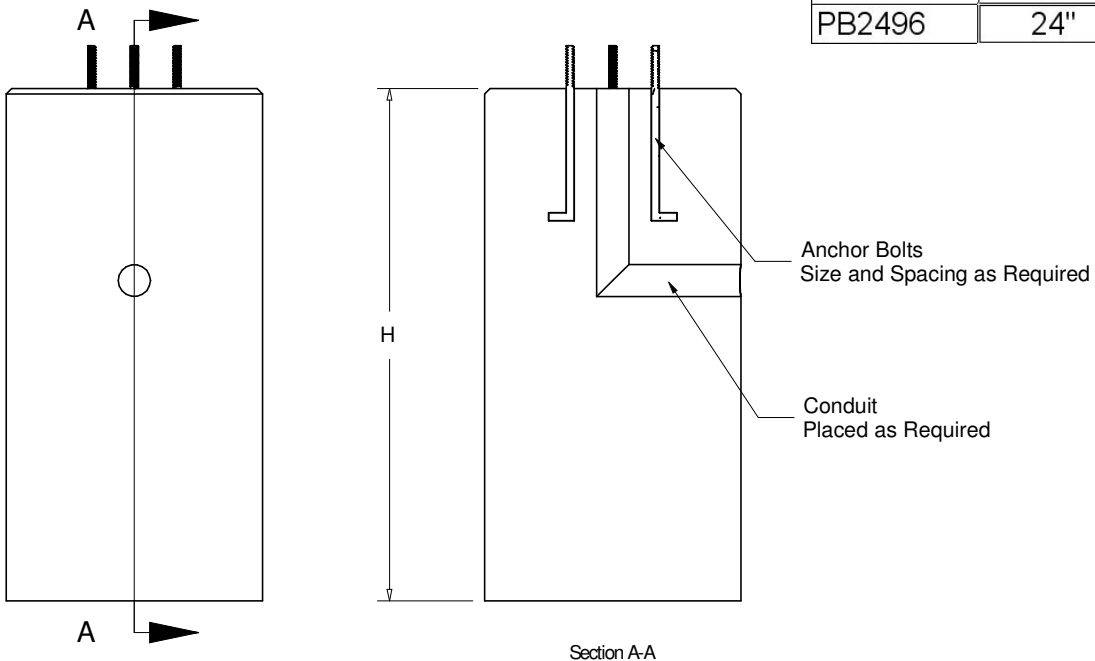


Size Chart			
Product ID	Diameter	Height(H)	Weight
PB2436	24"	36"	1,350 LBS
PB2448	24"	48"	1,800 LBS
PB2460	24"	60"	2,275 LBS
PB2472	24"	72"	2,725 LBS
PB2484	24"	84"	3,200 LBS
PB2496	24"	96"	3,650 LBS



Note:
 Contractor to Supply Anchor Bolts & Conduit