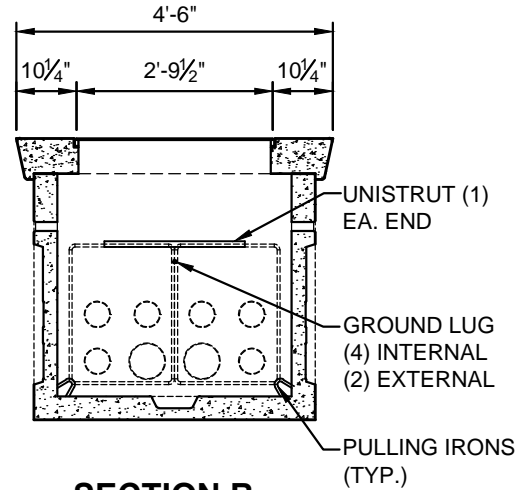
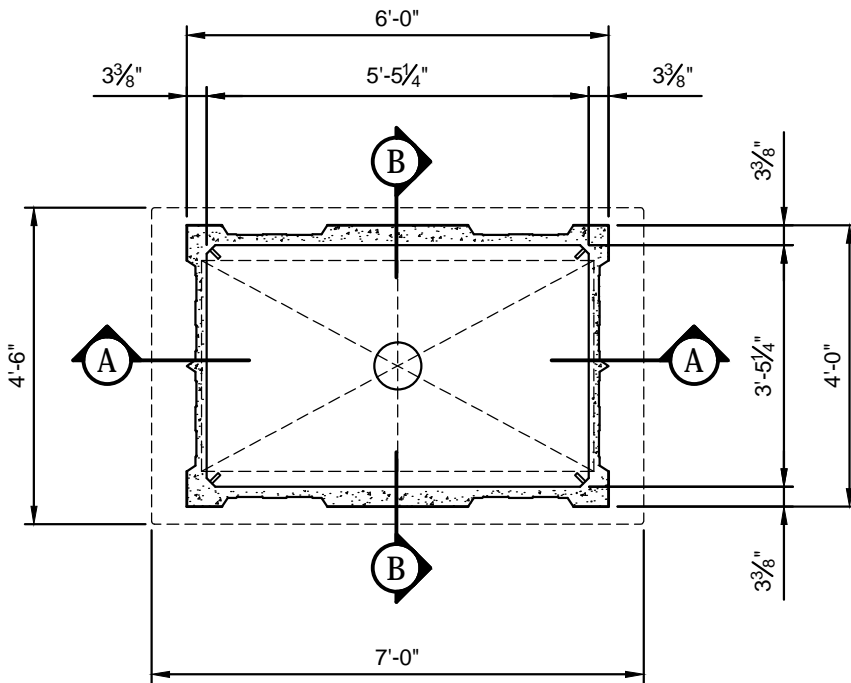


SECTION A



SECTION B



PLAN