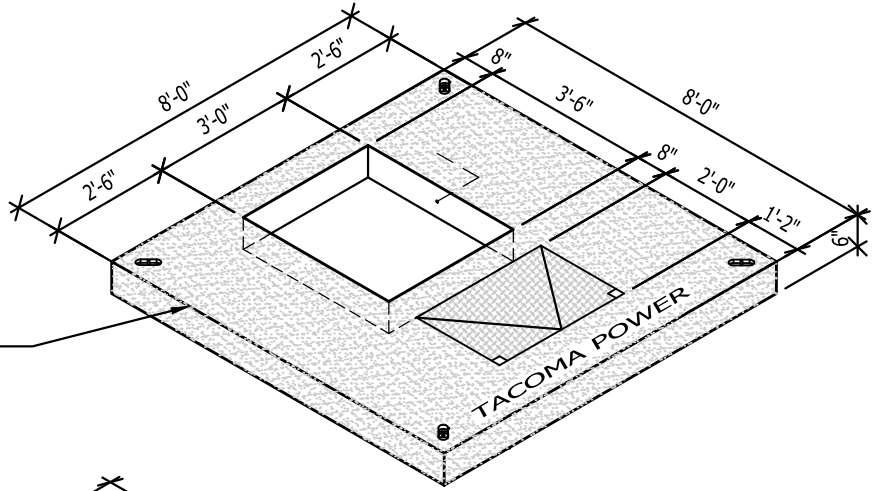
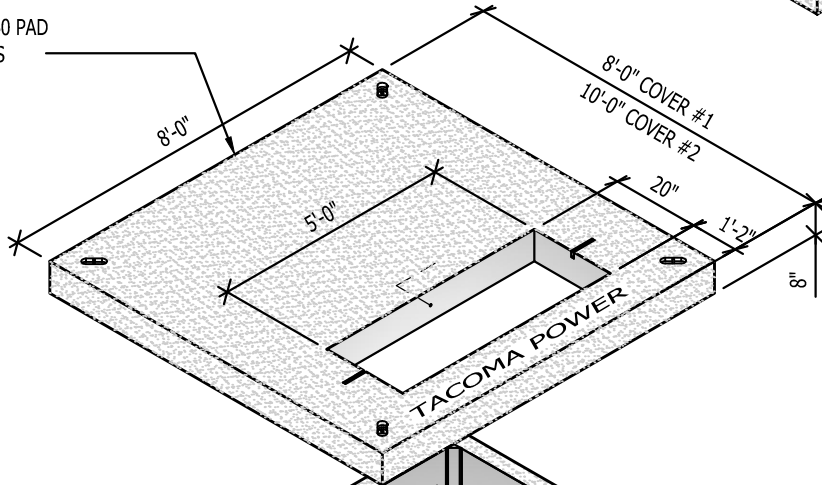


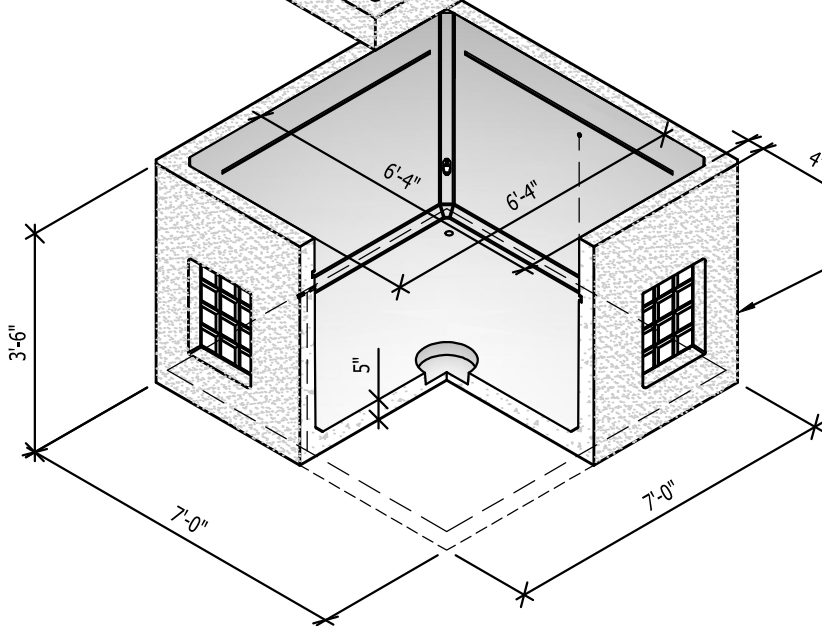
MATERIAL	MID #
774 VAULT BASE (6,800 LBS)	21167
9696-2060 TRANSFORMER (500 kVA TO 1500 kVA) OR PRIMARY METER CABINET COVER, 8'x8' (5,000 LBS)	19461
12096-2060 TRANSFORMER (2000 kVA TO 2500 kVA) COVER #2 8'x10' (7,160 LBS)	19463
774-2436-3642 SECONDARY SERVICE CABINET COVER #3 (5,000 LBS)	50893
774 RISER , 6"	39974
774 RISER, 12"	43256



9696-2436-3636 PAD
 5,000 LBS



9696-2060 PAD
 5,100 LBS



774-VB PAD
 6'800 LBS