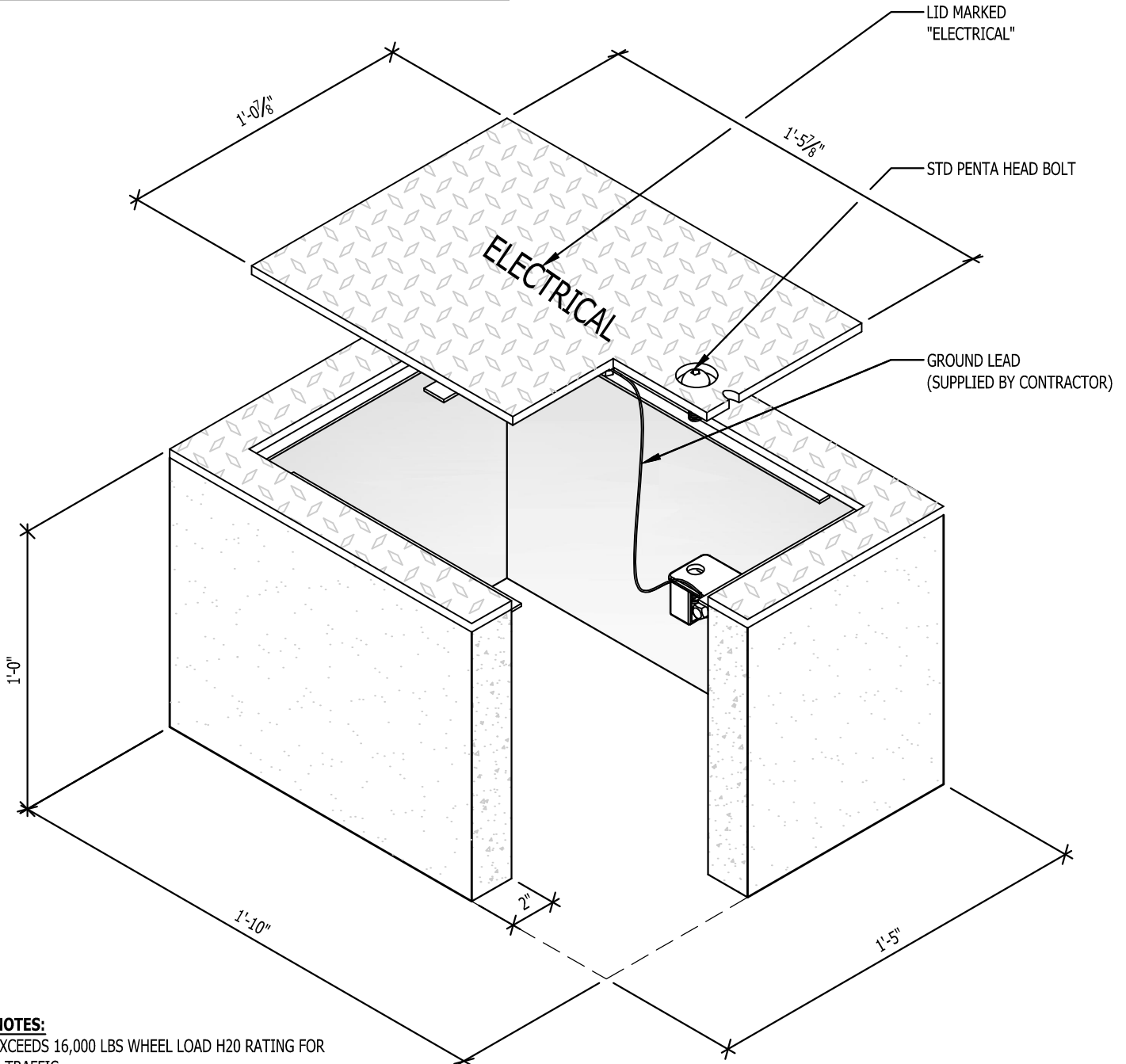


CHECK REQUIRED SPECIFICATION

STANDARD
WSDOT / STATE CONTRACT NUMBER _____
SLIPNOT
GALVANIZED DIAMOND PLATE
BLACK



GENERAL NOTES:
 MEETS OR EXCEEDS 16,000 LBS WHEEL LOAD H20 RATING FOR
 INCIDENTAL TRAFFIC