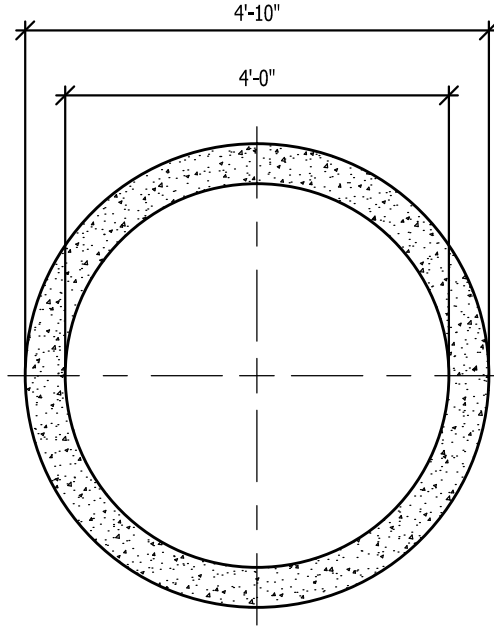


NOTES:

1. PIPE JOINTS AND GASKETS CONFORM TO ASTM C443 & C361
2. 36" THROUGH 72" PIPE AVAILABLE FOR ASTM C76 (REINFORCED) & ASTM C361 (REINFORCED LOW HEAD PRESSURE PIPE)
3. 18" THROUGH 48" PIPE AVAILABLE FOR ASTM C1765-13 STEEL FIBER REINFORCED
4. FURNISHED WITH CONFINED O-RING GASKET



<u>I.D.</u>	<u>WALL THICKNESS</u>	<u>OD</u>	<u>BELL OD</u>	<u>BELL LENGTH</u>	<u>SPIGOT LENGTH</u>	<u>LAY LENGTH</u>	<u>WT. PER FT.</u>
48"	5"	58"	62½"	6¾"	4¾"	7½"	1010 LBS

