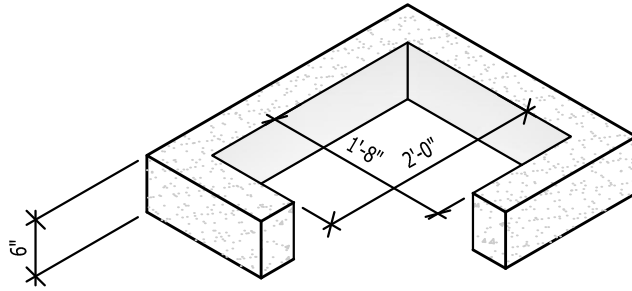
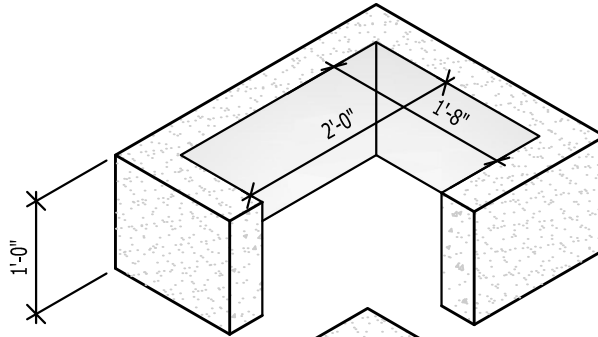


S-UNIT



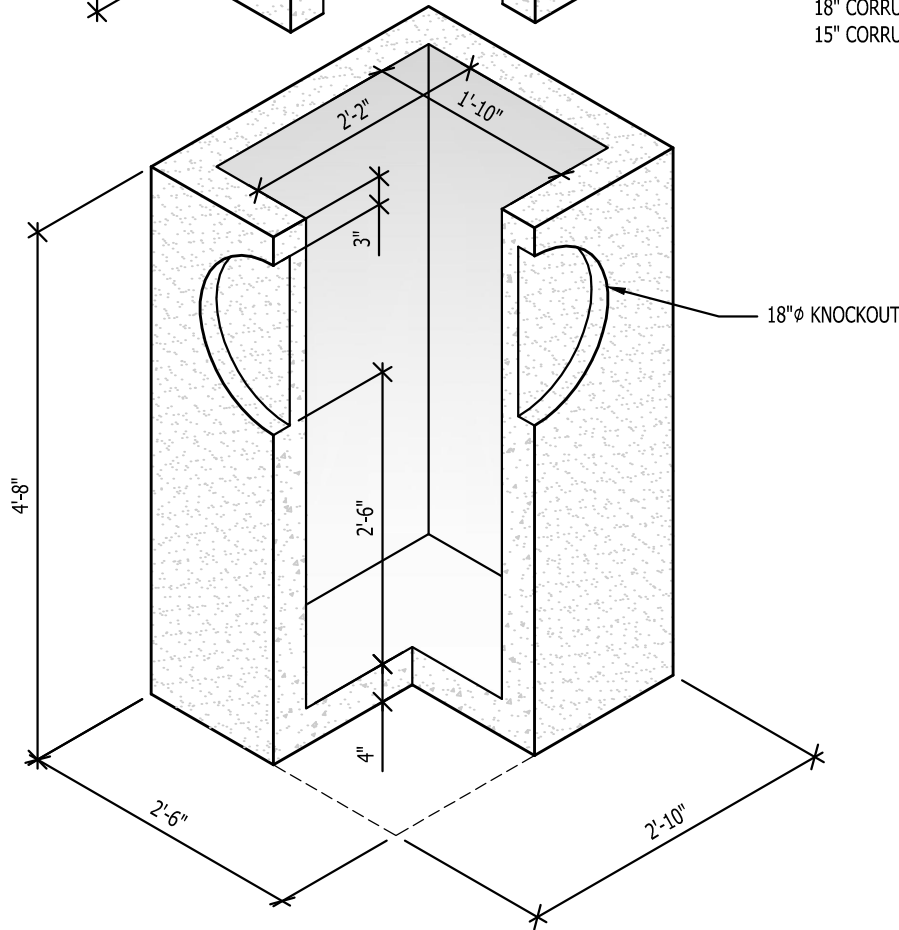
AVAILABLE RISERS:
 2" CATCH BASIN RISER
 F-UNIT (4" RISER - 190 LBS)
 S-UNIT (6" RISER - 280 LBS)
 T-UNIT (12" RISER - 560 LBS)

T-UNIT



MAX PIPE SIZES:
 18" PVC
 18" CORRUGATED STEEL
 15" CORRUGATED POLYETHYLENE

CB1P



STORM SEWER