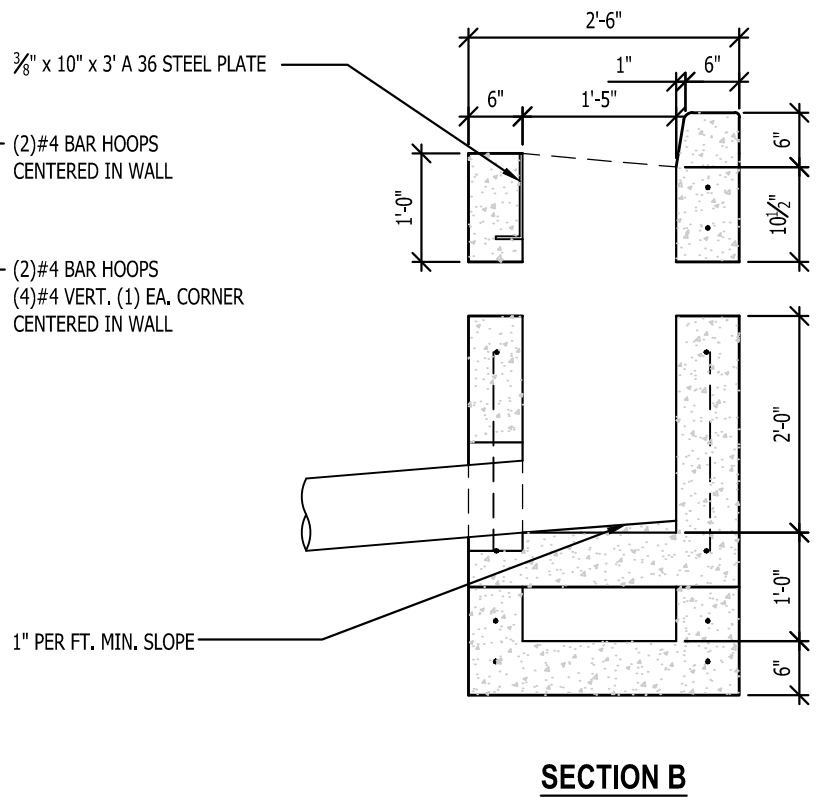
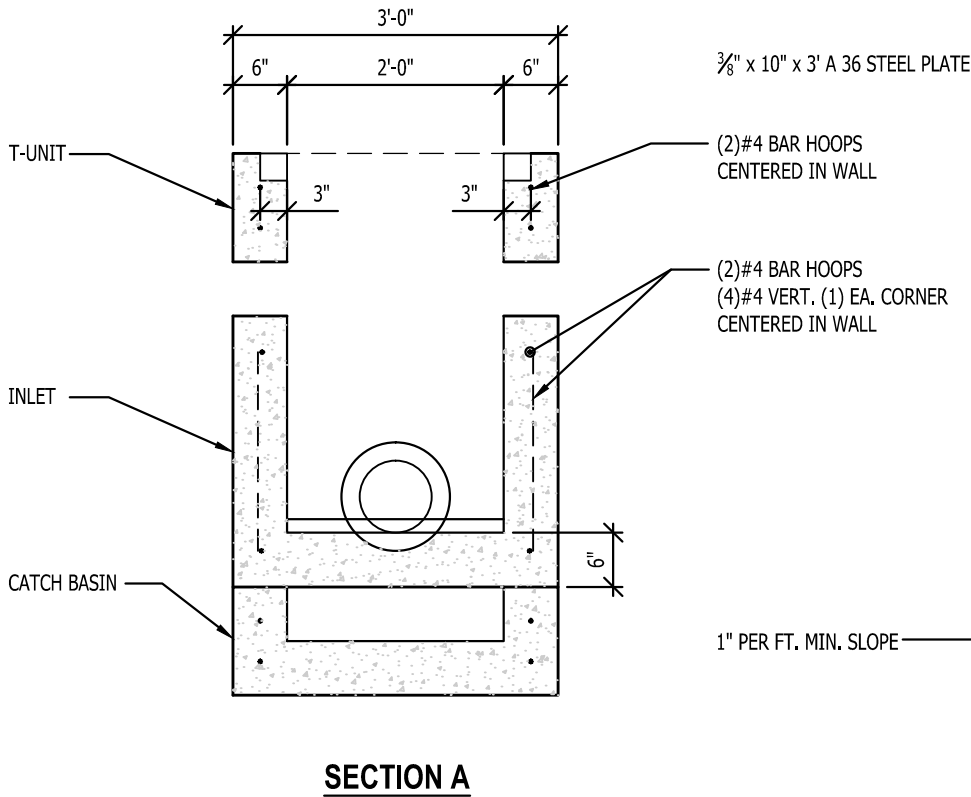
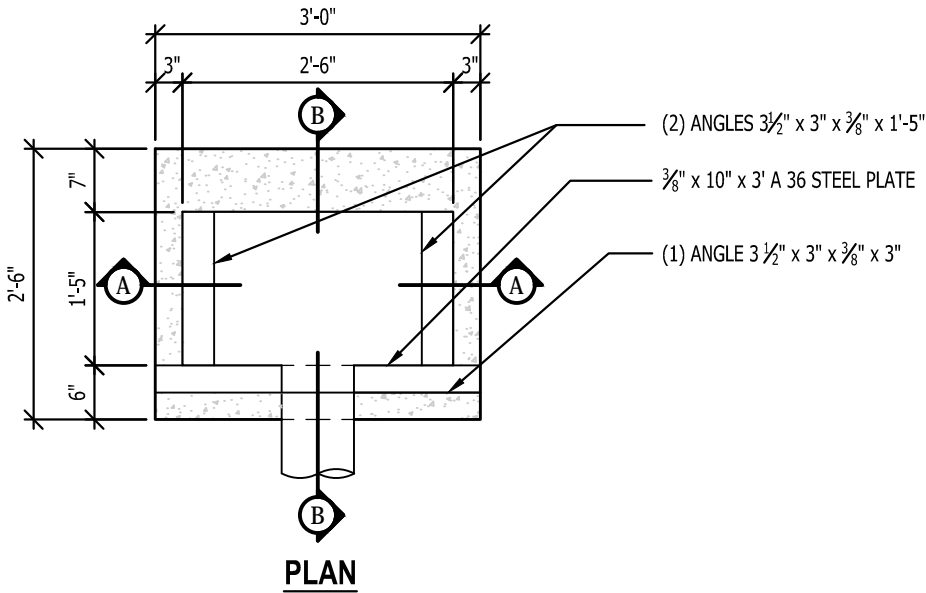


KNOCKOUTS AVAILABLE ALL FOUR (4) SIDES TO ACCOMMODATE PIPE CONFIGURATIONS



STORM SEWER