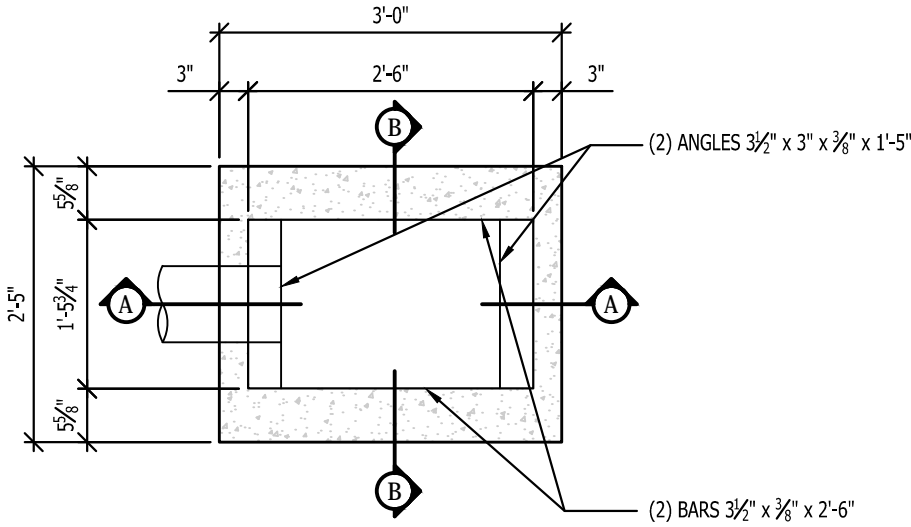
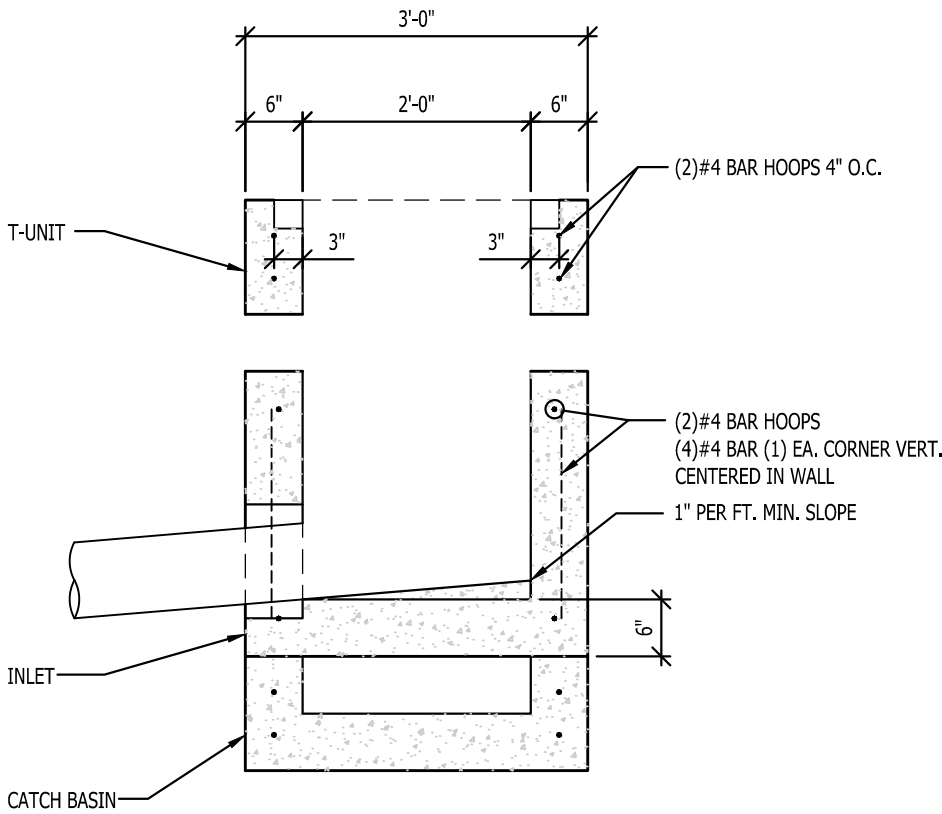


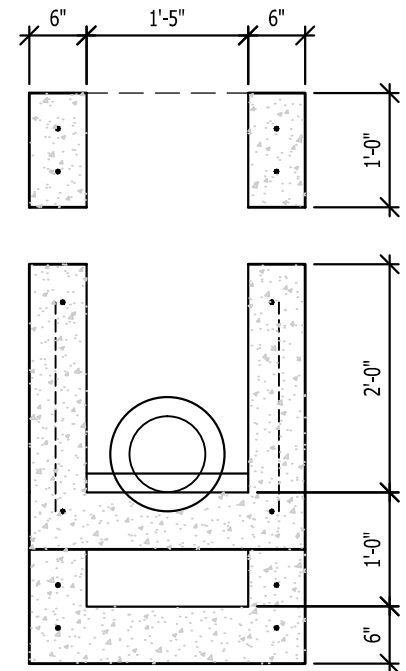
KNOCKOUTS AVAILABLE ALL FOUR (4) SIDES TO ACCOMMODATE PIPE CONFIGURATIONS



PLAN



SECTION A



SECTION B

STORM SEWER