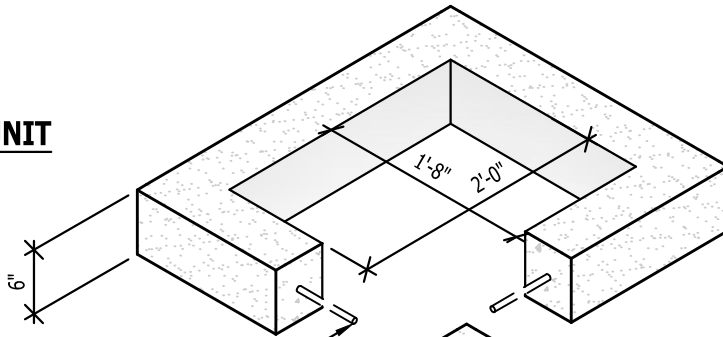


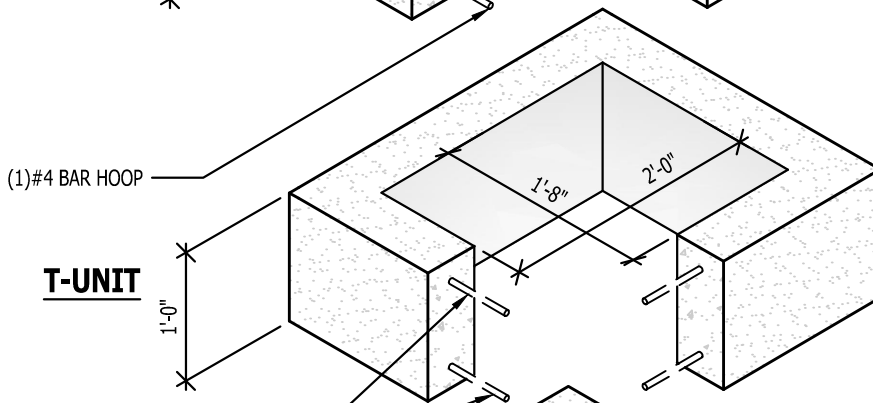
**S-UNIT**



**AVAILABLE RISERS:**

- 2" CATCH BASIN RISER
- F-UNIT (4" RISER - 190LBS)
- S-UNIT (6" RISER - 280LBS)
- T-UNIT (12" RISER - 560 LBS)

**T-UNIT**

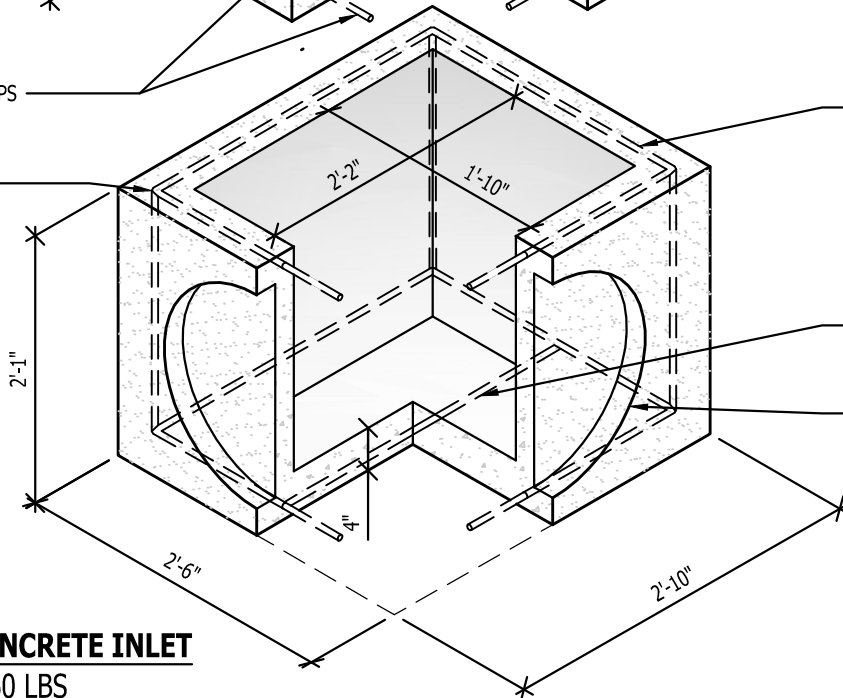


**MAX. PIPE SIZES:**

- 15" PVC
- 15" CORRUGATED POLYETHYLENE
- 18" CORRUGATED STEEL

(2)#3 BAR HOOPS

#3 BAR EACH CORNER



#3 BAR EACH SIDE TOP AND BOTTOM

(1)#3 BAR ACROSS BOTTOM

18"  $\phi$  BLOCKOUTS

**CONCRETE INLET**  
**1360 LBS**

STORM SEWER