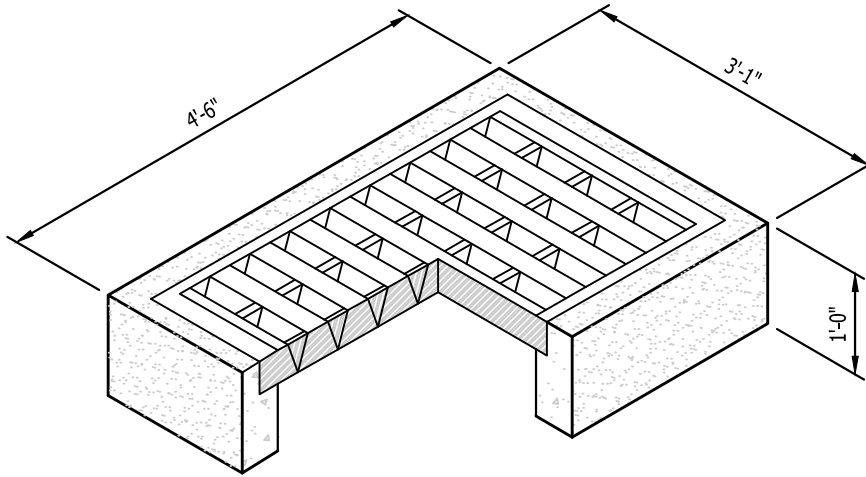
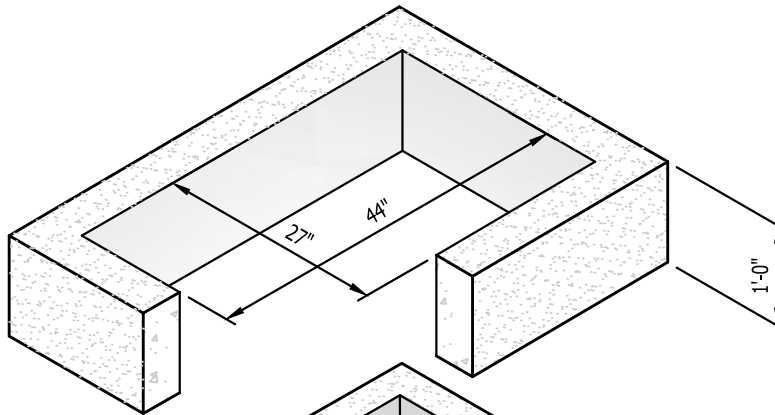


H-UNIT
 970 LBS

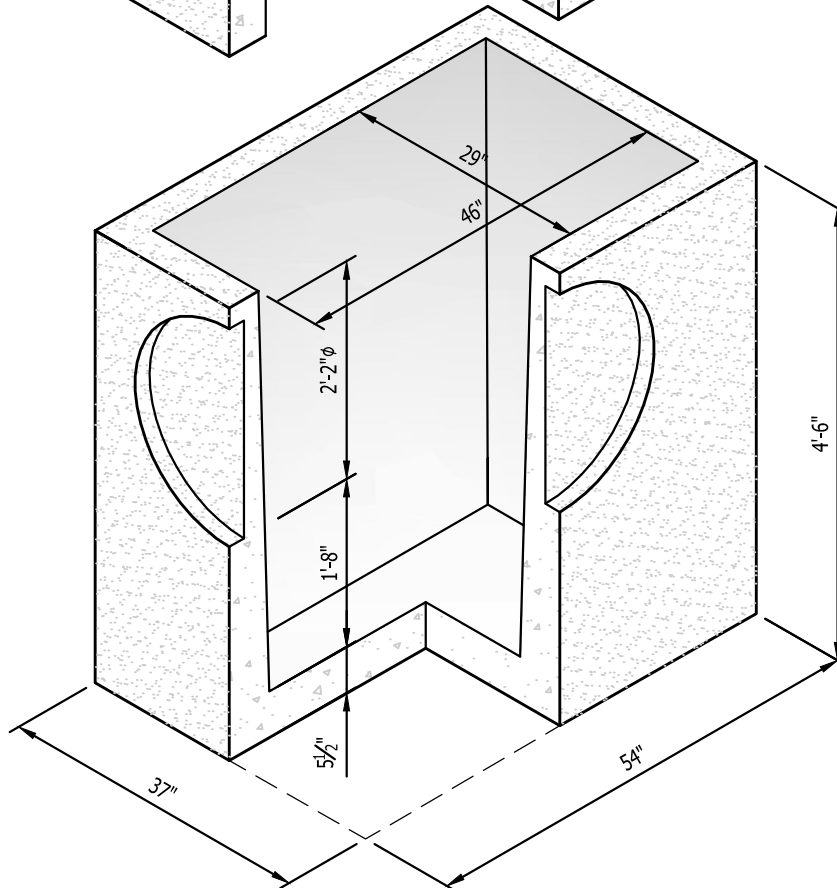


AVAILABLE RISER
 2" CATCH BASIN RISER
 F-UNIT (4" RISER - 190LBS)
 S-UNIT (6" RISER - 280LBS)
 T-UNIT (12" RISER - 560LBS)

T-UNIT
 860 LBS



CBGI2
 3860 LBS



MAX PIPE SIZES
 15" CORRUGATED POLYETHYLENE
 18" CORRUGATED STEEL
 18" PVC

STORM SEWER