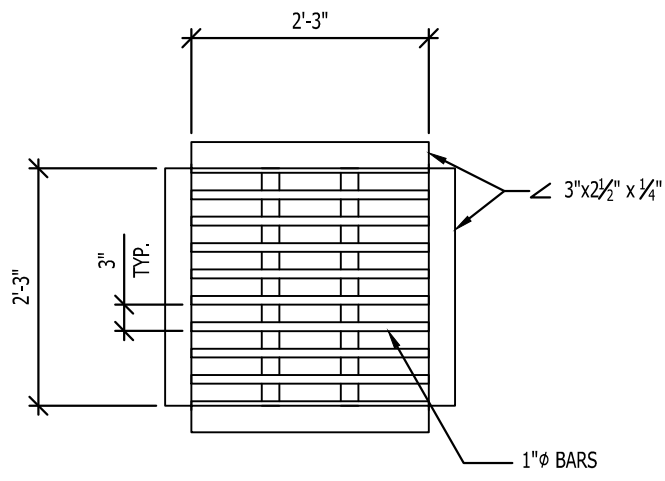


PLAN

SECTION A



METAL GRATE

STORM SEWER