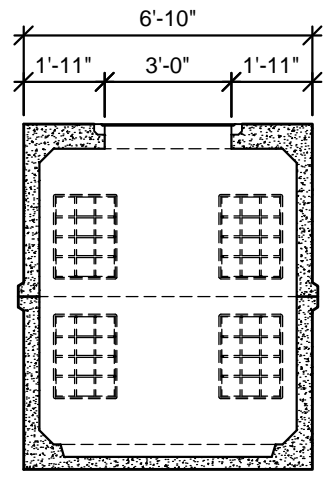
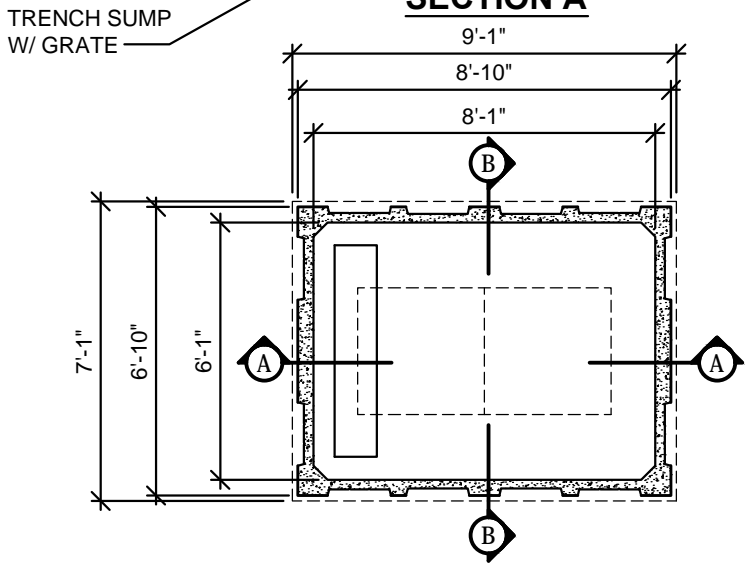


**SECTION A**



**SECTION B**



**PLAN**

TRENCH SUMP  
 W/ GRATE