

**Pole Base Order Sheet**

Customer: \_\_\_\_\_

Job Name: \_\_\_\_\_

Delivery Address: \_\_\_\_\_

PO #: \_\_\_\_\_

Quantity of Bases \_\_\_\_\_

Height (6" increments) \_\_\_\_\_

Diameter (please circle)    12"    18"    24"    30"    36"

Diagonal Bolt Spacing (D) \_\_\_\_\_

Bolt Projection (h) \_\_\_\_\_

Bolt Size \_\_\_\_\_

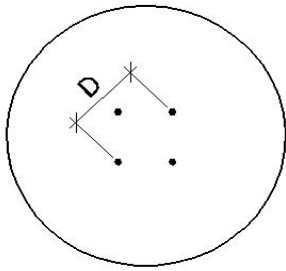
Conduit Height (H) \_\_\_\_\_

Height Exposed Above Grade \_\_\_\_\_

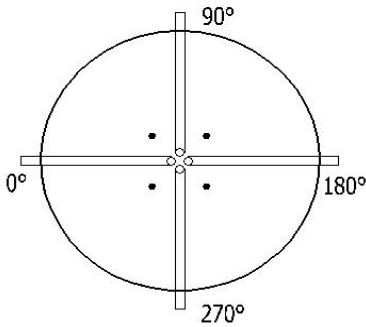
Collard or Non-Collared (circle)    Collared                      Non-Collared

Conduit Size \_\_\_\_\_

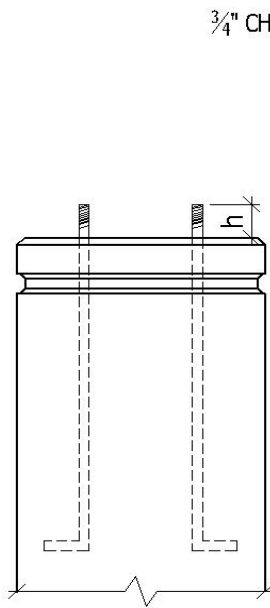
Quantity of Conduit and Angles: \_\_\_\_\_



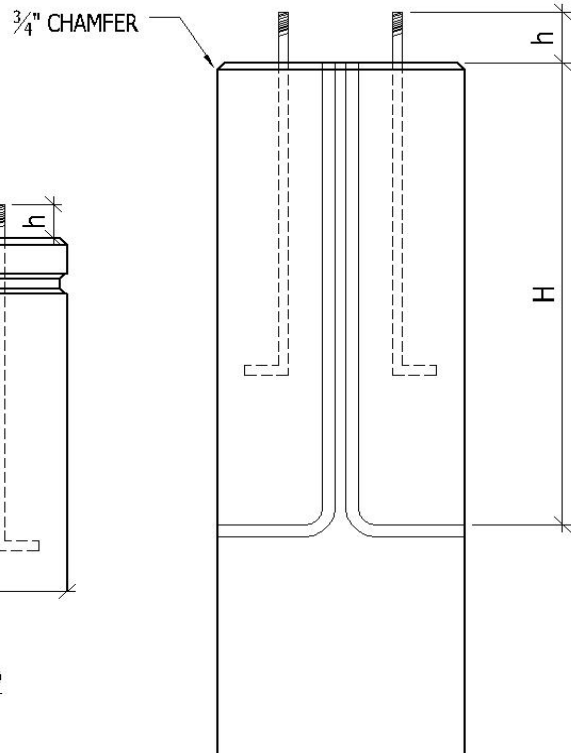
**BOLT PATTERN**



**CONDUIT**



**COLLARED**



**NON COLLARED**

**\*\*Customer to supply anchor bolts and conduit.**