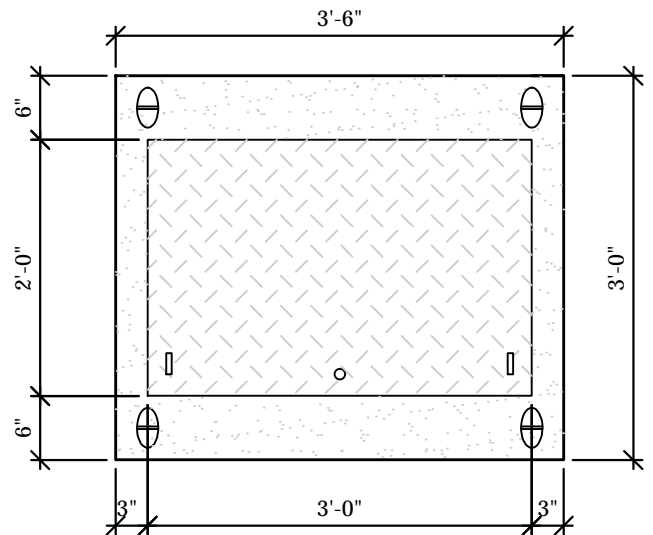


E3 2512 KNOCKOUT COVER



E3 2436SL COVER

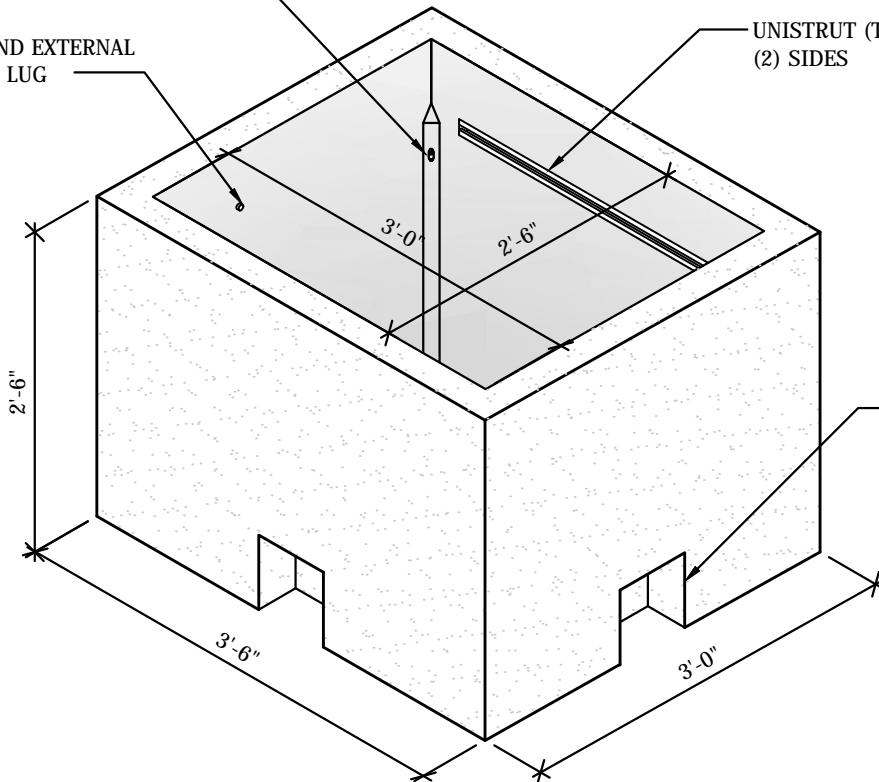
LIFTING ANCHOR (TYP.)
 (3) PLACES

LIFTING ANCHOR (TYP.)
 (4) CORNERS

E3 VAULT BASE

INTERNAL AND EXTERNAL
 GROUNDING LUG

UNISTRUT (TYP.)
 (2) SIDES



7" x 7" BLOCKOUT (TYP.)
 (4) SIDES