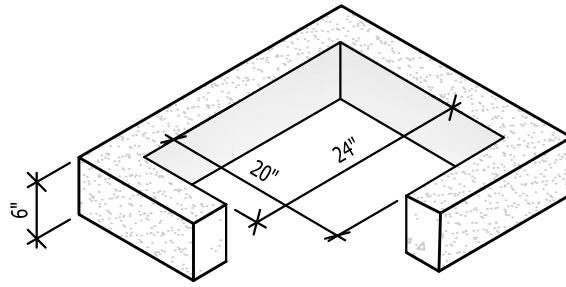
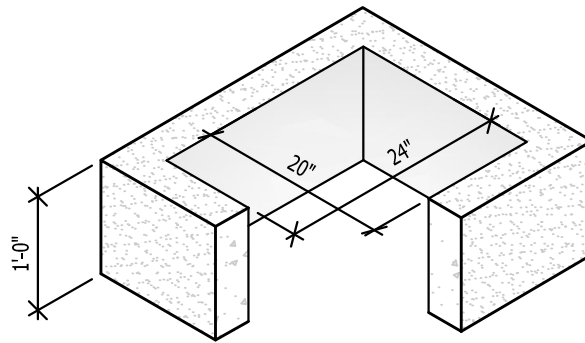


S-UNIT



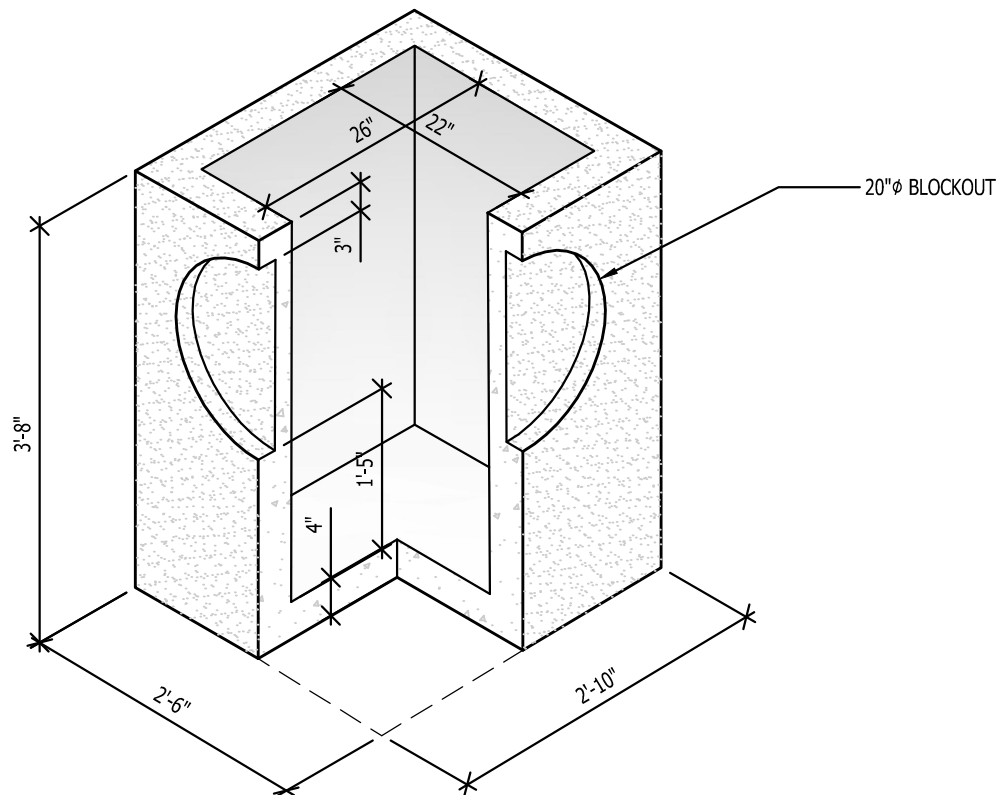
AVAILABLE RISER
 2" CATCH BASIN RISER
 F-UNIT (4" RISER - 190LBS)
 S-UNIT (6" RISER - 280LBS)
 T-UNIT (12" RISER - 560LBS)

T-UNIT



MAX PIPE SIZES:
 18" PVC
 18" CORRUGATED STEEL
 15" POLYETHYLENE

CB1C
 2100 LBS



**S
T
O
R
M

S
E
W
E
R**