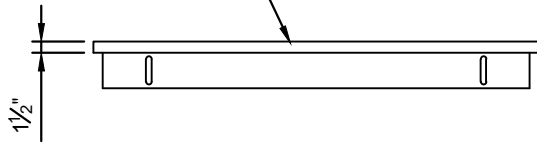
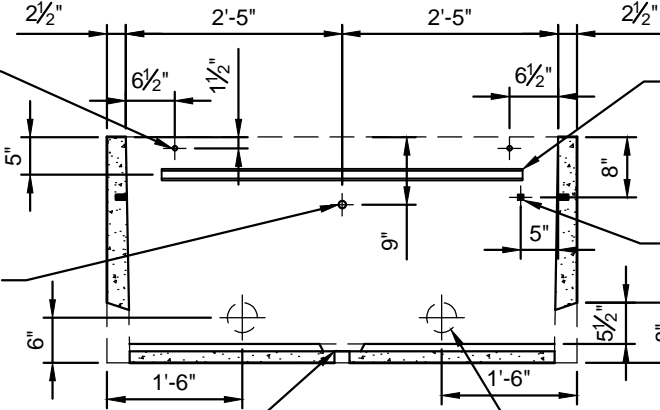


USF 25TA HATCH
 MARKED "ITS" (TYP.)



5/8" THRD'D
 INSERT (TYP.)
 (4) PLACES



1 1/2" Ø PICKING
 EYE (TYP.)
 (2) SIDE WALLS

6" Ø SUMP
 W/ 2" Ø DRAIN HOLE

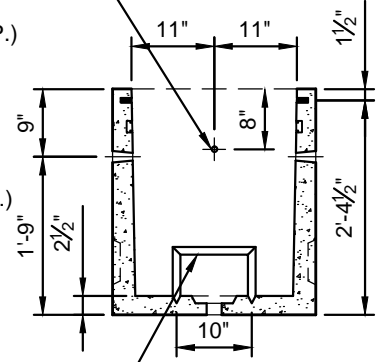
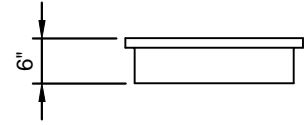
4' GALV. UNISTRUT (TYP.)
 (2) PLACES

3/8" Ø GROUND LUG (TYP.)
 (1) PLACE

4 1/2" Ø KNOCKOUT (TYP.)
 (4) PLACES

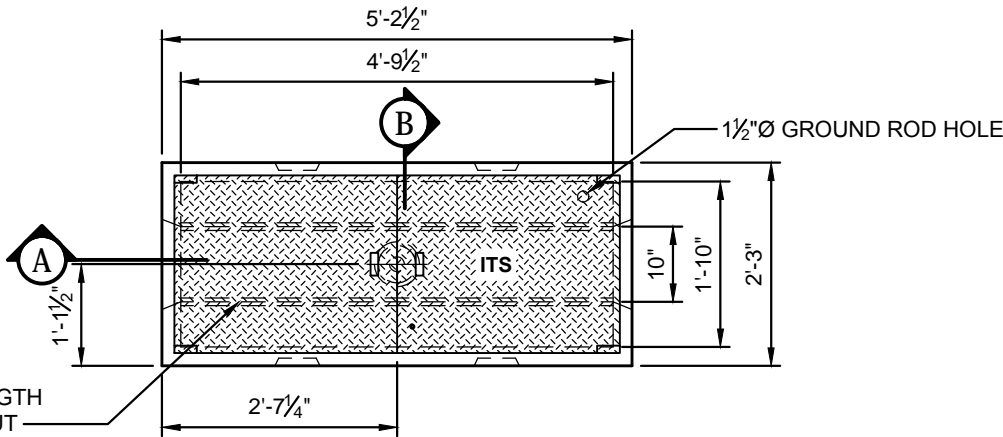
SECTION A

3/4" THRD'D INSERT (TYP.)
 (2) PLACES



8"x10" KNOCKOUT

SECTION B



FULL LENGTH
 KNOCKOUT

PLAN