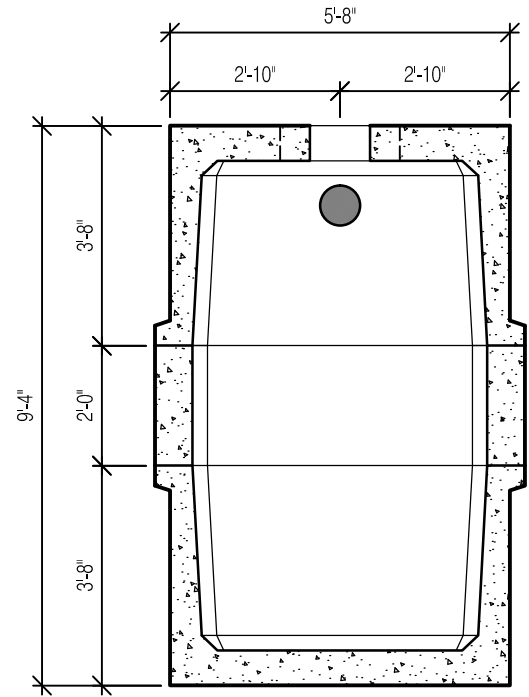
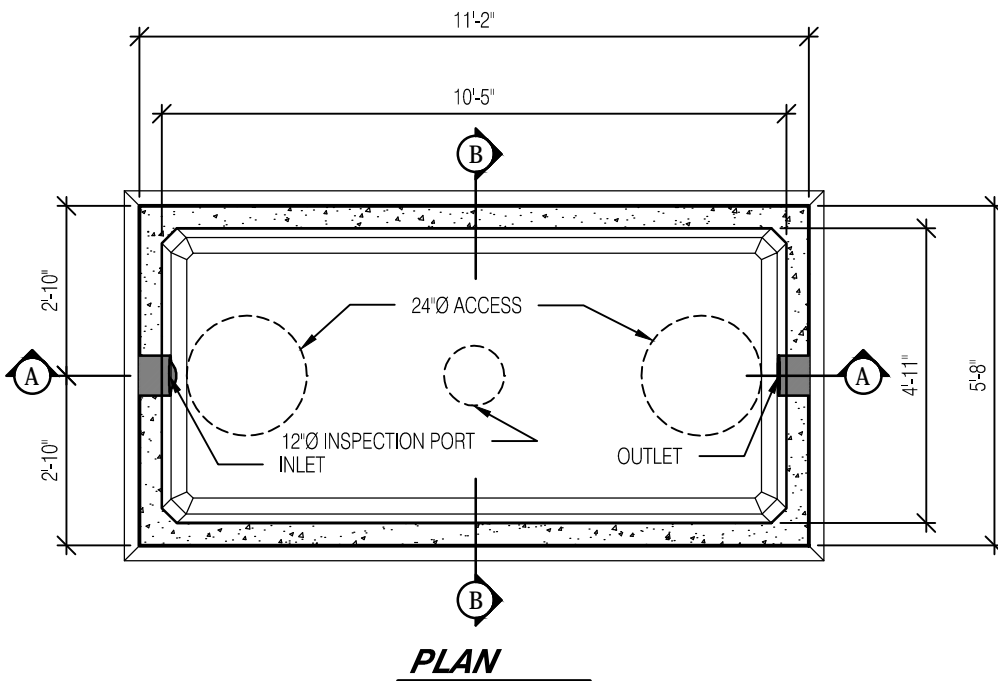


A SECTION



B SECTION



PLAN

GENERAL NOTES:

*2500 GALLON CAPACITY BASED UPON 90" WATER LEVEL.

- EXACT CAPACITY DEPENDANT UPON SIZE AND LOCATION.

** ACCESS HATCH PER SPECIFICATION AND LID CONFIGURATION DEPENDANT UPON REQUIREMENTS.