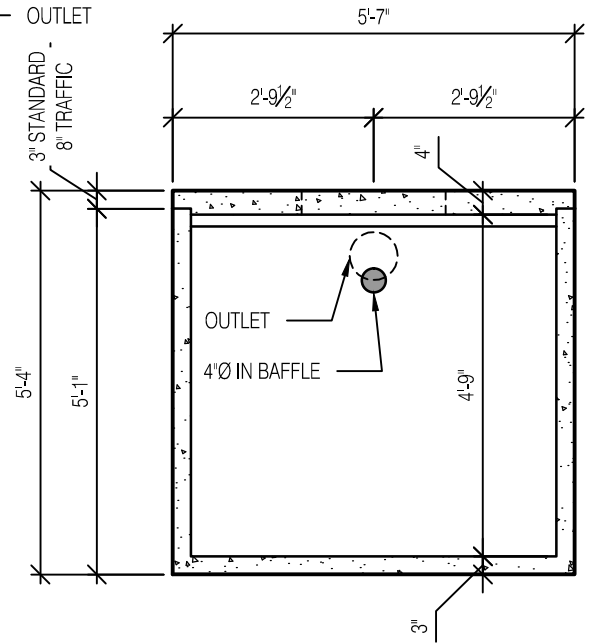
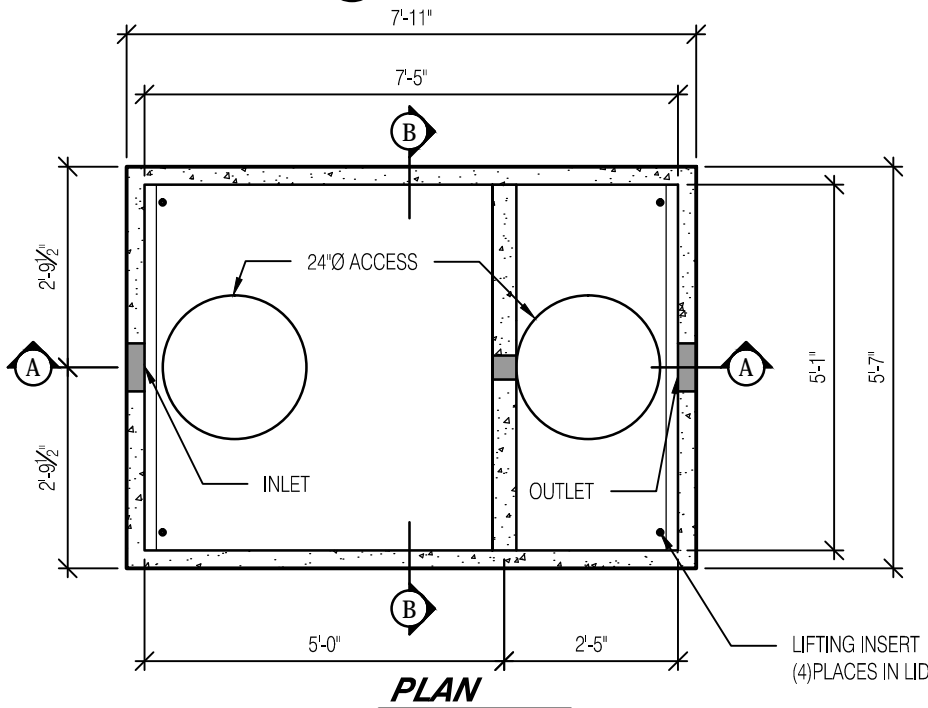


**A SECTION**



**B SECTION**



**PLAN**

**GENERAL NOTES:**  
 STANDARD INLET AND OUTLET SIZE IS 4". CUSTOM PENETRATIONS AVAILABLE  
 INLET IS CENTERED AT 56" UP, OUTLET IS CENTERED AT 53" UP MEASURED FROM OUTSIDE  
 JOINT BETWEEN TANK AND COVER SEALED WITH MASTIC.