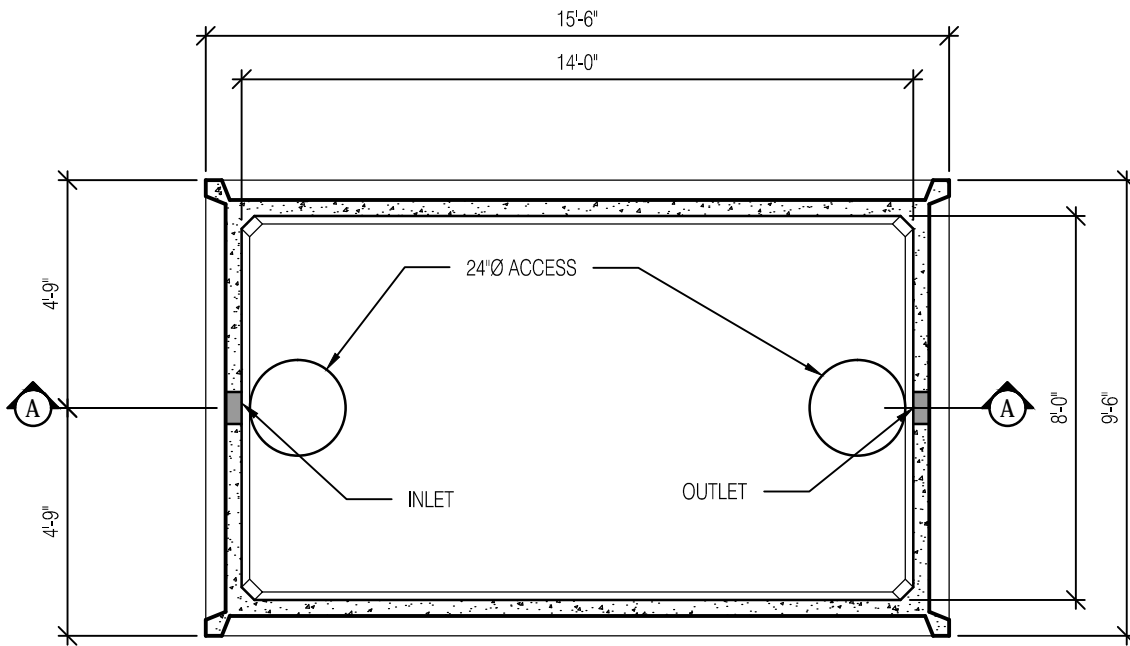


A SECTION



PLAN

GENERAL NOTES

- *6,000 GALLON CAPACITY BASE ON 87" WATER LEVEL
- EXACT CAPACITY DEPENDENT UPON PIPE SIZE AND LOCATION
- ** LID CONFIGURATION DEPENDENT UPON REQUIREMENTS.