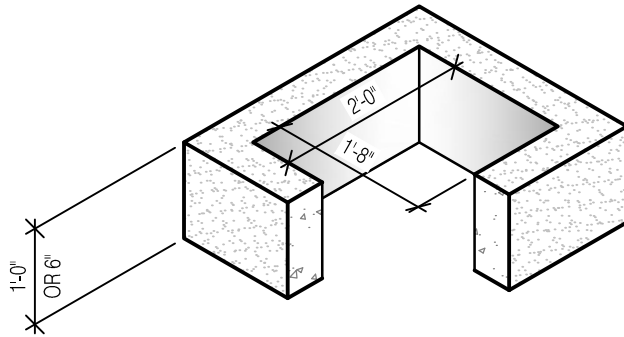
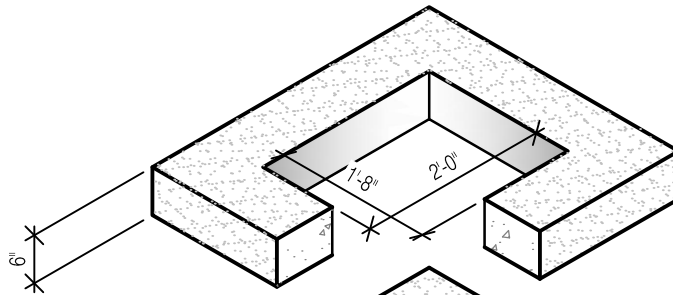


S-UNIT



AVAILABLE RISER
 2" CATCH BASIN RISER
 F-UNIT (4" RISER - 190LBS)
 S-UNIT (6" RISER - 280LBS)
 T-UNIT (12" RISER - 560LBS)

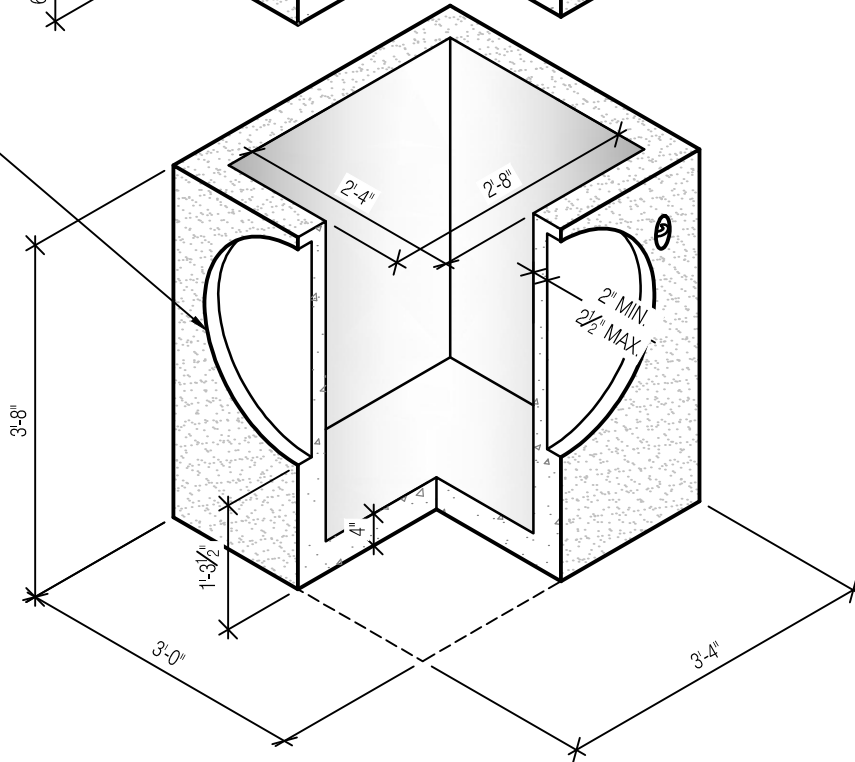
T-UNIT



MAX PIPE SIZES:
 18" PVC
 18" CORRUGATED STEEL
 15" POLYETHYLENE

CB1L
 2100 LBS

26"Ø BLOCKOUT



GENERAL NOTES:
 CATCH BASIN REINFORCING PER WSDOT STD. PLAN B-5.40-01

STORM SEWER